

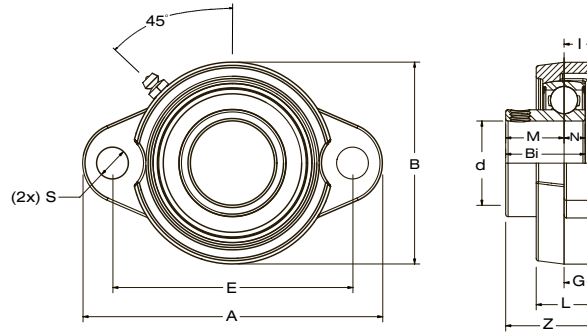
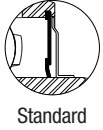


SBLF 200 SERIES

Light-Duty 2-Bolt Flange Block
Setscrew Lock

TURNER
Mounted Bearings

Available Seal Style:



Bearing Number	Shaft Dia.	Dimensions in. mm.											Bolt Used	Load Rating		Bearing Insert	Housing Number	Weight
	d in. mm.	A	E	I	G	L	S	B	Z	Bi	N	M		in. mm.	Dynamic C _r			
SBLF 201	12	3.19 81.0	2.500 63.5	0.37 9.5	0.37 9.5	0.71 18.0	0.31 8.0	2.20 56.0	1.00 25.4	0.8661 22.0	0.2362 6.0	0.6299 16.0	1/4 M6	2,147 9.55	1,075 4.78	SBLF 201	LF 203	0.9 0.4
SBLF 201-8	1/2																	
SBLF 202	15																	
SBLF 202-10	5/8																	
SBLF 203	17																	
SBLF 204-12	3/4	3.54	2.815	0.43	0.43	0.79	0.39	2.40	1.14	0.9843	0.2756	0.7087	5/16	2,883	1,496	SBLF 204-12	LF 204	1.1 0.5
SBLF 204	20	90	71.5	11.0	11.0	20.0	10.0	61.0	29.0	25.0	7.0	18.0	M8	12.82	6.65	SBLF 204		
SBLF 205-14	7/8	3.74 95.0	2.992 76.0	0.43 11.0	0.43 11.0	0.79 20.0	0.39 10.0	2.52 64.0	1.20 30.5	1.0630 27.0	0.2953 7.5	0.7677 19.5	5/16 M8	3,155 14.04	1,810 8.05	SBLF 205-14	LF 205	1.5 0.7
SBLF 205-15	15/16																	
SBLF 205	25																	
SBLF 205-16	1																	
SBLF 206-17	1 1/16																	
SBLF 206-18	1 1/8	4.45	3.563	0.47	0.47	0.89	0.47	2.99	1.34	1.1811	0.3150	0.8661	3/8	4,377	2,569	SBLF 206-17	LF 206	2.2 1.0
SBLF 206	30																	
SBLF 206-19	1 3/16																	
SBLF 206-20	1 1/4																	
SBLF 207-20	1 1/4																	
SBLF 207-21	1 5/16	4.80 122.0	3.937 100.0	0.51 13.0	0.51 13.0	0.94 24.0	0.47 12.0	3.50 89.0	1.44 36.5	1.2589 32.0	0.3346 8.5	0.9252 23.5	3/8 M10	5,775 25.69	3,497 15.56	SBLF 207-20	LF 207	2.9 1.3
SBLF 207-21	1 5/16																	
SBLF 207-22	1 3/8																	
SBLF 207	35																	
SBLF 207-23	1 7/16																	